

LEUKOsmart

LEUKOCYTE ADSORBER LA25

Leukocyte Apheresis for Autoimmune Diseases such as Ulcerative Colitis, Crohn Disease, and others.

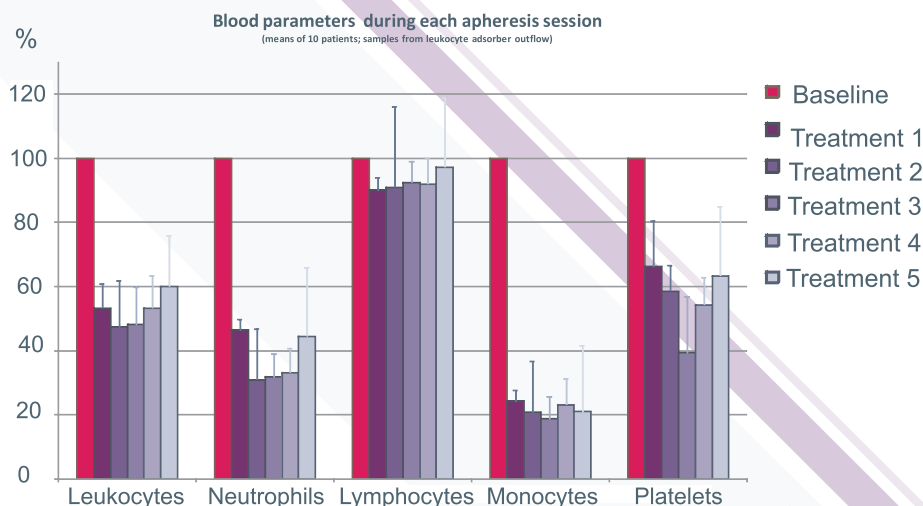
THE COLUMN FOR THERAPEUTIC LEUKOCYTE APHERESIS DEVELOPED BY MEDICA SPA, WITH CUTTING-EDGE FEATURES:

- EFFECTIVE AND SELECTIVE REMOVAL OF LEUKOCYTES AND PLATELETES
- EXCELLENT BIOCOMPATIBILITY THANKS TO ITS HIGHLY HYDROPHILIC **MediSulfone®** MEMBRANE
- STERILIZATION BY BETA RADIATION; NO GAS RESIDUAL
- VERY LOW TOTAL PRIMING VOLUME: 120 ML
- READY TO USE COMPLETE KIT



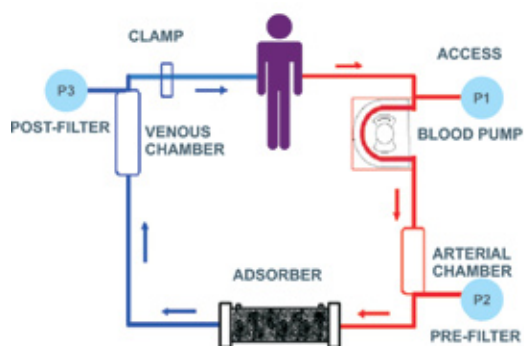
TEST IN VIVO

Blood parameters during each apheresis session
(means of 10 patients; samples from leukocyte adsorber outflow)



SCHEMATIC DRAWING OF EXTRACORPOREAL CIRCULATION

The kit works with a dedicated blood pump named LEUKOSMART.



TECHNICAL DATA OF LEUKOCYTE ADSORBER LA25

Fiber material	Polysulfone
Fiber length (mm)	MediSulfone®
Fiber surface (m ²)	2
Fiber qty (gr)	25
Blood connectors	Twist Lock
Filter length (mm)	180
Treatment blood flow (ml/min)	30
Treatment duration (min)	60
Sterilisation	Beta Rays
Cartridges and blood port material	PC
Product code for Leukoadsorber kit	M03812

TECHNICAL DATA OF LEUKOSMART

Blood pump flow rate	from 5 to 150 ml/min
Heparin pump flow rate	from 0.5 to 15 ml/min
Pressure channels	arterial, venous, prefilter
Display	4.7" back-lighted colour graph
Size	37x29x36 h cm
Weight	12 kg
Product code	M03250 230V/50Hz M03261 115V/60Hz

MediSulfone® is MEDICA's registered mark

MANUFACTURER

MEDICA S.p.A. Via degli Artigiani, 7 | 41036, Medolla (Modena) Italia
Tel: +39 0535 51159 | Fax: +39 0535 52605 | Email: info@medica.it | www.medica.it

MEDICA



CE 0476 UNI EN ISO 9001: 2008 UNI CEI EN ISO 13485: 2012